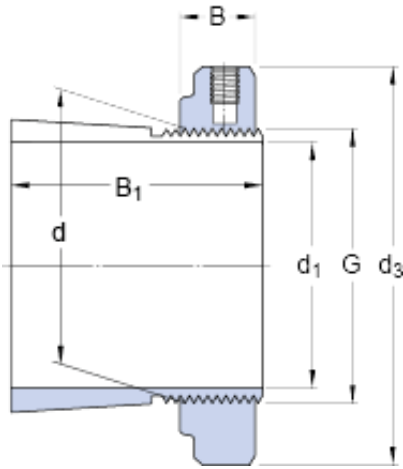




# LP BEARING CORP.



## skf H 307 EL Adapter sleeves for metric shafts

Bearing No. H 307 EL

|                              |          |
|------------------------------|----------|
| $d_1$                        | 30 mm    |
| $d$                          | 35 mm    |
| $d_3$                        | 52 mm    |
| $B_1$                        | 35 mm    |
| $B$                          | 11.5 mm  |
| $G$                          | M 35x1.5 |
| Mass adapter sleeve assembly | 0.16 kg  |
| Lock nut                     | KMFE 7 L |

H 307 EL Bearing 2D drawings and 3D CAD models