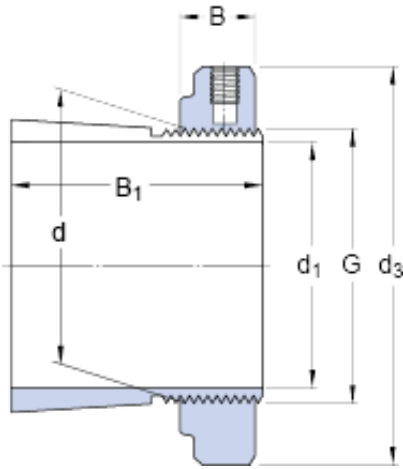




# LP BEARING CORP.



## skf H 3028 E Adapter sleeves for metric shafts

Bearing No. H 3028 E

$d_1$	125 mm
$d$	140 mm
$d_3$	180 mm
$B_1$	82 mm
$B$	28 mm
$G$	M 140x2
Mass adapter sleeve assembly	3.05 kg
Lock nut	KMFE 28
Hydraulic nut	HMV 28 E

H 3028 E Bearing 2D drawings and 3D CAD models