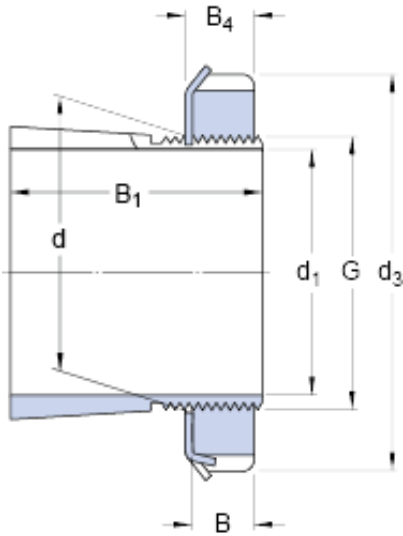




# LP BEARING CORP.



H 3936 Bearing 2D drawings and 3D CAD models

## skf H 3936 Adapter sleeves for metric shafts

Bearing No. H 3936

$d_1$	160 mm
$d$	180 mm
$d_3$	210 mm
$B_1$	87 mm
$B$	27 mm
$B_4$	29.5 mm
$G$	M 180x3
Mass adapter sleeve assembly	6 kg
Lock nut	KML 36
Locking device	MBL 36
Hydraulic nut	HMV 36 E