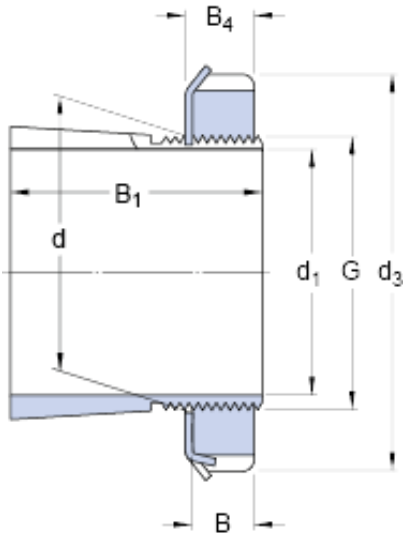




LP BEARING CORP.



skf SNW 117x2.7/8 Adapter sleeves, inch dimensions

Bearing No. SNW 117x2.7/8

d ₁	73.025 mm
d	85 mm
d ₃ max.	112.039 mm
B ₁	83.871 mm
B	16.129 mm
B ₄	17.704 mm
G	84.836 mm
Threads per inch	12
Mass adapter sleeve assembly	1.55 kg
Sleeve	S 117x2.7/8
Lock nut	AN 17
Lock washer	W 17
Hydraulic nut	HMVC 17E

SNW 117x2.7/8 Bearing 2D drawings and 3D CAD models