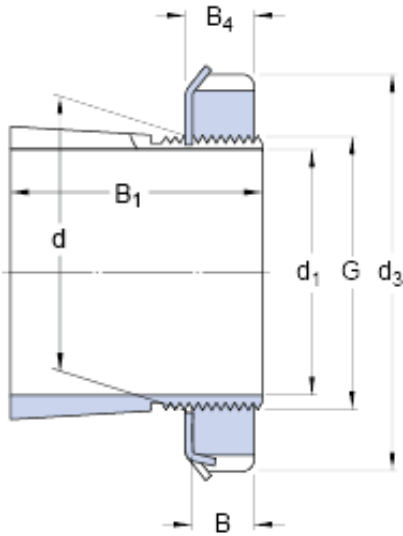




LP BEARING CORP.



skf SNW 3128x5 Adapter sleeves, inch dimensions

Bearing No. SNW 3128x5

d ₁	127 mm
d	140 mm
d ₃ max.	165.227 mm
B ₁	100.863 mm
B	24.079 mm
B ₄	27 mm
G	139.624 mm
Threads per inch	12
Mass adapter sleeve assembly	4 kg
Sleeve	S 28x5
Lock nut	N 028
Lock washer	W 028
Hydraulic nut	HMVC 28E

SNW 3128x5 Bearing 2D drawings and 3D CAD models