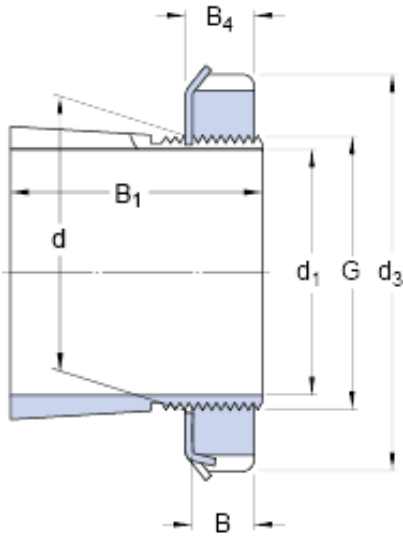




LP BEARING CORP.



skf SNW 3030x5.3/16 Adapter sleeves, inch dimensions

Bearing No. SNW 3030x5.3/16

d ₁	131.762 mm
d	150 mm
d ₃ max.	181.102 mm
B ₁	88.443 mm
B	24.867 mm
B ₄	27.788 mm
G	149.555 mm
Threads per inch	12
Mass adapter sleeve assembly	4.45 kg
Sleeve	S 3030x5.3/16
Lock nut	N 030
Lock washer	W 030
Hydraulic nut	HMVC 30E

SNW 3030x5.3/16 Bearing 2D drawings and 3D CAD models