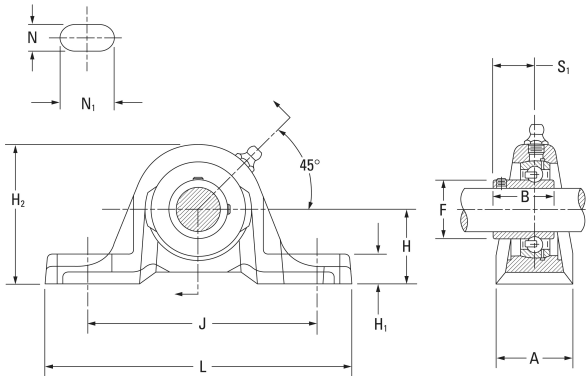




LP BEARING CORP.

timken SAK 25 Ball Bearing Housed Units- Fafnir® Pillow Block Units Setscrew Locking



Bearing No. SAK 25

Shaft Size d	0.984 in
Bearing Type	Ball Bearing
Inside Ring Outside Diameter	1.316 in
Dimension T	0.705 in
Dimension D1	1.327 in
Series	Standard
Weight	1.676 lb
Seal Type	Narrow Shroud
Housing Style	Two-Bolt Pillow Block
Base to Center Height H	33.34 mm
Total Length L	139.70 mm
Total Width A	1.406 in
Bolt Hole Spacing J	104.8 mm
Bolt Hole Width N	11.1 mm
Bolt Hole Length N1	20.6 mm
Foot Height H1	11.9 mm
Total Height H2	68.00 mm
Dimension L1	46.6 mm
Inside Ring Width B	=Bearings1_Inside Ring Width= mm
Center of Bearing from End S	15.5 mm
Dimension B1	1.374 in
Static Load Rating	1750 lbf
Dynamic Load Rating	3490 lbf

SAK 25 Bearing 2D drawings and 3D CAD models