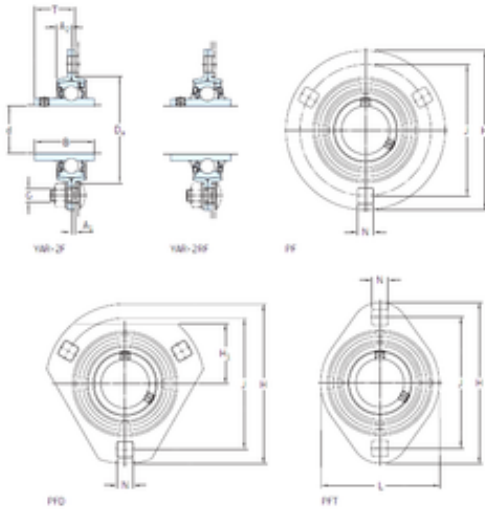




LP BEARING CORP.



skf PF 25 RM Ball bearing round and triangular flanged units

Bearing No. PF 25 RM

PF 25 RM Bearing 2D drawings and 3D CAD models

Bore Diameter	25 mm
Width	27,2 mm
d	25 mm
Da	60 mm
A1	2 mm
B	27,2 mm
G	8 mm
H	95 mm
H1	– mm
J	76 mm
L	–
N	8,7 mm
T	21,5 mm
A2	9 mm
Weight	0,33 Kg
Basic dynamic load rating (C)	14 kN
Basic static load rating (C0)	7,8 kN
Housing material	Pressed steel
A ₁	2 mm
A ₂	9 mm
B ₄	5 mm
D _a min.	56 mm
s ₁	19.5 mm
Basic dynamic load rating C	14 kN
Basic static load rating C ₀	7.8 kN



LP BEARING CORP.

Fatigue load limit P_u	0.335 kN
Permissible radial housing load max.	3.6 kN
Mass unit	0.32 kg
Thread grub screw G_2	M6x0.75
Hexagonal key size for grub screw N	3 mm
Recommended tightening torque for grub screw	4 N · m
Recommended diameter for attachment bolts, mm G	8 mm
Recommended diameter for attachment bolts, inch G	0.3125 in
Bearing	YAT 205
Housing	PF 52