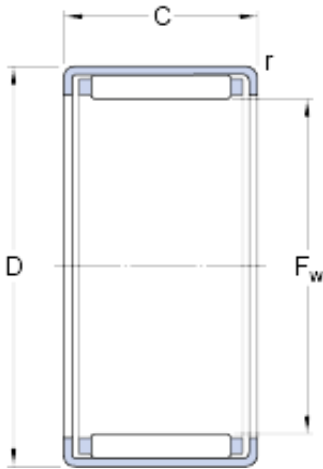




# LP BEARING CORP.



HK 0408 Bearing 2D drawings and 3D CAD models

## skf HK 0408 Drawn cup needle roller bearings

Bearing No. HK 0408

Size	8x4x8 mm
Bore Diameter	8 mm
Outer Diameter	4 mm
Width	8 mm
$F_w$	4 mm
D	8 mm
C	8 mm
r - min.	0.3 mm
Basic dynamic load rating - C	1.8 kN
Basic static load rating - $C_0$	1.4 kN
Fatigue load limit - $P_u$	0.14 kN
Reference speed	22000 r/min
Limiting speed	26000 r/min
Mass bearing	0.002 kg
Category	Bearings
Inventory	0.0
Manufacturer Name	SKF
Minimum Buy Quantity	N/A
Weight / Kilogram	0.002
EAN	7316571516165
Product Group	B04144
$F_w$	4 mm
r min.	0.3 mm
Basic dynamic load rating C	1.76 kN
Basic static load rating $C_0$	1.37 kN



## LP BEARING CORP.

Fatigue load limit $P_u$	0.14 kN
Designation bearing	HK 0408
Radial shaft seal with a low cross-sectional height, single lip	G 4x8x2 S