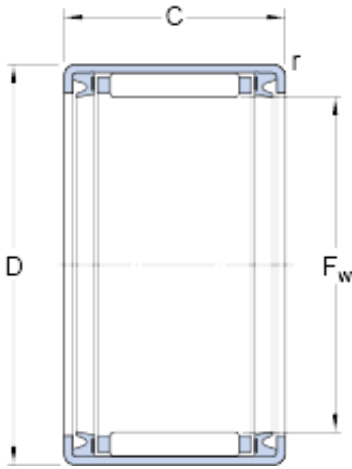




# LP BEARING CORP.



## skf HK 3516.2RS Drawn cup needle roller bearings

Bearing No. HK 3516.2RS

HK 3516.2RS Bearing 2D drawings and 3D CAD models

Size	42x35x16 mm
Bore Diameter	42 mm
Outer Diameter	35 mm
Width	16 mm
$F_w$	35 mm
D	42 mm
C	16 mm
r - min.	0.8 mm
Basic dynamic load rating - C	12.5 kN
Basic static load rating - $C_0$	21.6 kN
Fatigue load limit - $P_u$	2.4 kN
Limiting speed	5000 r/min
Mass bearing	0.032 kg
Inner ring IR series	IR 30x35x17
$F_w$	35 mm
r min.	0.8 mm
Basic dynamic load rating C	12.5 kN
Basic static load rating $C_0$	21.6 kN
Fatigue load limit $P_u$	2.45 kN
Designation bearing	HK 3516.2RS
Inner ring LR series	LR 30x35x16.5